

TEKOFLEX® TF07 - TF16



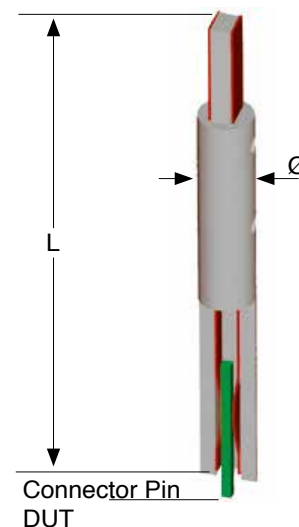
TEKOFLEX® for four-wire measurement

TEKOFLEX® contacts are ideal solution for four-wire measurements on connector pins and blade terminals.

The round TEKOFLEX® for connector pins

The round TF07-TF16 are perfect for contacting connector pins and solder terminals - either round or square. Two bent and electrically isolated sheet metal strips take the pins of the DUT between them. The connection to the test system is established via the two solder terminals on the opposite end of the TEKOFLEX®. The TF07 - TF16 are designed to be mateable: the solder terminals of one fit into the opening of another.

You'll find a mounting example on the next but one page.



Technical Data	TF07	TF07-S1	TF08	TF10	TF15	TF16
Dimensions Connector Pin DUT (mm)	0,6-0,7 x 1,2	0,2-0,3 x 1,2	0,75-0,8 x 1,2	0,95-1,0 x 1,2	0,6-0,8 x 1,8	1,0-1,3 x 1,8
Dimensions TEKOFLEX® (L / Ø) (mm)	20,1 / 2,0	20,1 / 2,0	20,1 / 2,2	20,1 / 2,2	27,0 / 3,0	27,0 / 3,0
Ø Mounting Hole (mm)	2,2	2,2	2,3	2,3	3,4	3,4
Mating Force (cN, +/- 20%)	100-150	25-40	120-150	120-150	100-200	100-200
Typical Resistance (mΩ)	5	5	5	5	4	4
Max. Pulse Current (A)	10	10	10	10	10	10
Typical Life Time (Mating Cycles)	100.000	100.000	100.000	100.000	100.000	100.000
Material Metal Sheet Strips	CuBe, gold plated	CuBe, gold plated	CuBe, gold plated	CuBe, gold plated	CuBe, gold plated	CuBe, gold plated



TEKOFLEX® TF20 - TF63

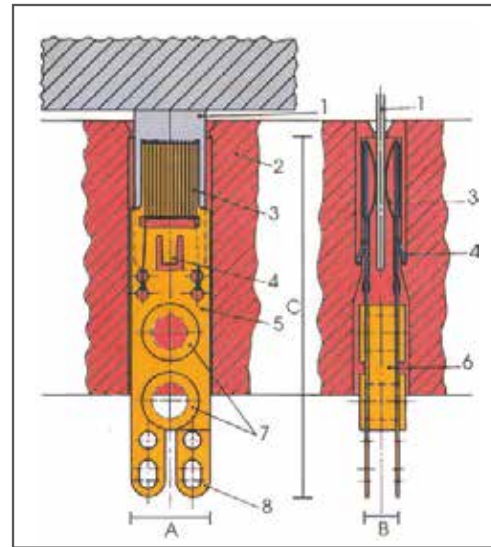


The flat TEKOFLEX® for blade terminals

The TEKOFLEX® TF20 - TF63 are best used when the DUT has blade terminals or similar flat contacts.

Their thoroughly coiled wires establish a very high quality connection with the DUT, minimizing contact resistances and surface marks

The widths of the DUT's terminals should ideally range between 2,0 and 6,3 mm.



- | | |
|------------------|--------------------|
| 1 Blade Terminal | 5 Metal Base Plate |
| 2 Housing | 6 Insulator |
| 3 Coiling | 7 Rivets |
| 4 Barb | 8 Solder Terminal |

Technische Daten	TF20	TF28	TF63
Nominal width (mm)	2,0	2,8	6,3
Dimensions TEKOFLEX® A/B/C (mm)	3,0 / 2,6 / 19,5	4,0 / 3,0 / 31,5	6,8 / 3,4 / 31,6
Mating Force (cN, +/- 20%)	160	200	300
Typical Resistance (mΩ)	0,7	1,7	0,8
Max. Pulse Current (A)	15	20	40
Typical Life Time (Mating Cycles)	300.000	300.000	300.000
Material Metal Sheet Strips	CuBe, gold plated	CuBe, gold plated	CuBe, gold plated
Material Coiling	CuBe, gold plated	CuBe, gold plated	CuBe, gold plated

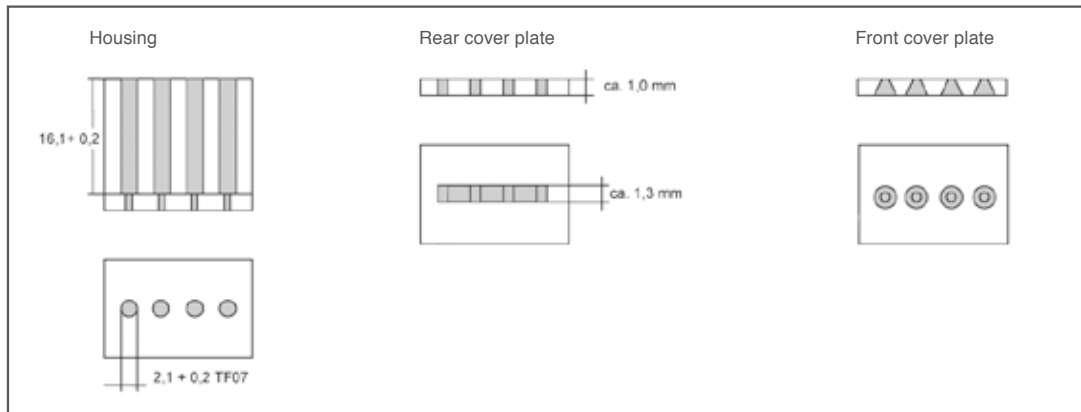
TEKOFLEX® TF07 - TF16

Assembly description with TEKOFLEX® TF07:

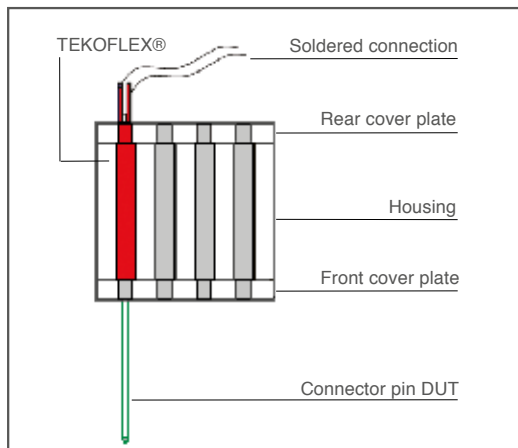
To be able to use the TF07 as a contact element, you need a housing, a front cover plate and a rear cover plate. The latter secures the TEKOFLEX® contact system against contortion. These three plates are manufactured separately, pitch tolerance ± 0.05 mm.

First the TEKOFLEX® system is inserted into the housing. Then the rear cover plate is fitted and screwed to the back of the housing. Finally the front cover plate is fitted and screwed to the housing.

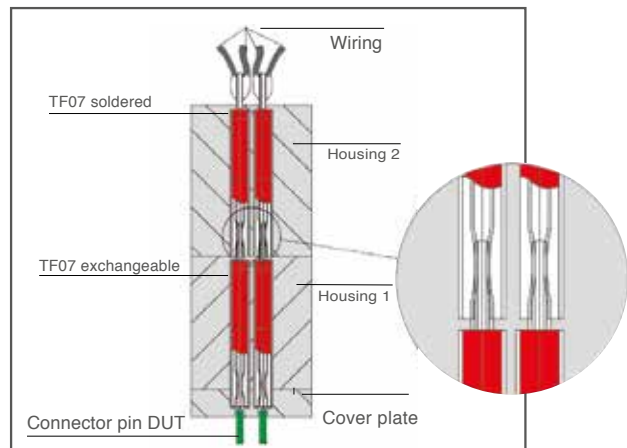
During the assembly it is important to add ≈ 0.2 mm space to the TEKOFLEX® system to allow tolerance adjustments, see illustration.



Assembly with TEKOFLEX®



Multiple TF07 can be assembled in series



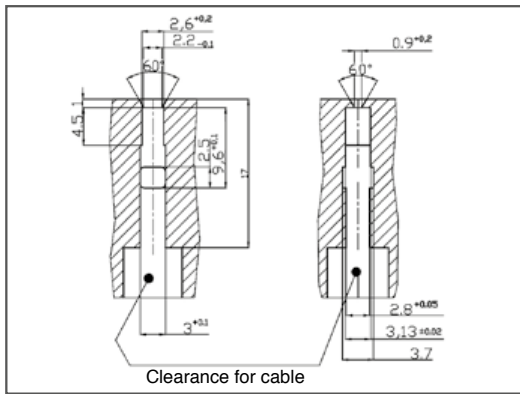
TEKOFLEX®

TF20 - TF63

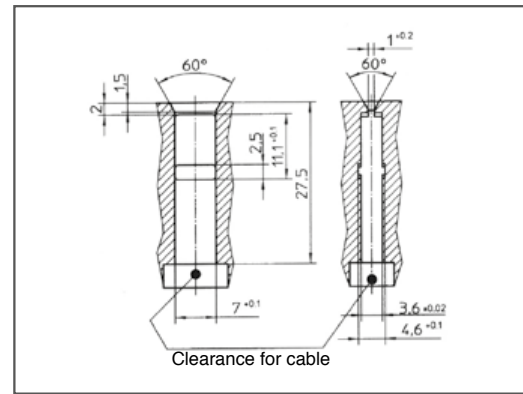
Assembly description:

To be able to use the TEKOFLEX® system as a contact element a housing is required into which the TEKOFLEX® can simply be inserted from the rear. For customer specific applications the housing has to be modified so that it fits the test object.

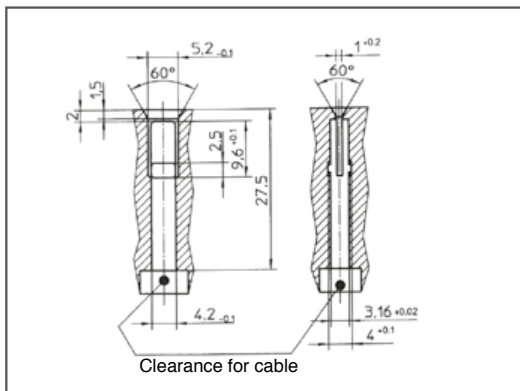
For this purpose the housing is produced in two identical halves as shown in the drawings below. The halves are first pinned to secure their positioning and then screwed together. The TEKOFLEX® can now be slid into the housing.



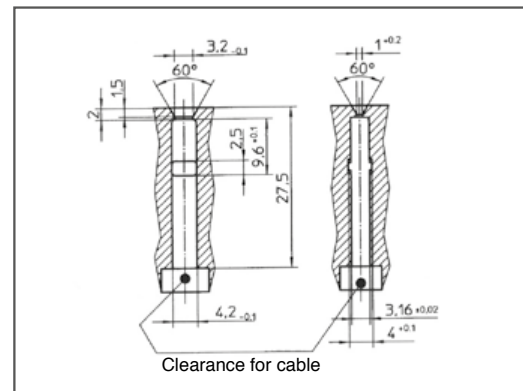
Housing for TF20
Blade terminal 2,0 x 0,6 mm



Housing for TF63
Blade terminal 6,3 x 0,8 mm



Housing for TF28
Blade terminal 4,8 x 0,8 mm



Housing for TF28
Blade terminal 2,8 x 0,8 mm